

Taishio

Wall/Duct Type Temperature & Humidity Transmitter - TS13/14

Features

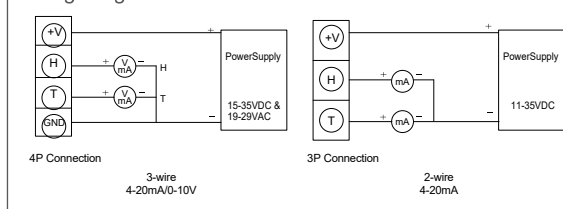
- High-tech sensor component with high accuracy and long-term stability
- Economical choice, high C/P ratio
- Compact design, good look and easy to install

Applications

- Monitoring of HVAC process, airconditioning, environmental ventilation control, storeroom, crisper, agriculture, food industry
- Environmental monitoring for building, factory, clean room, laboratory



Wiring Diagram



SPECIFICATIONS

Input

Input
Measuring Range
Recommended Working Range

Capacitive humidity sensor & PT1000Ω
Temperature : 0~50°C / Humidity : 0~100%
Temperature : 15~35°C / Humidity : 20~80%

Output

Output
Signal Connection

4~20mA / 0~10V
2-wire / 3-wire

Accuracy(at 25°C)

Temperature
Humidity
Temperature Influence
Load resistance

±0.3°C+0.002°C x t actual
±3%RH(20~80%)
0.2%RH / °C
2-wire current : <(V-10) / 0.02 < 500Ω
3-wire current : < 200Ω / 3-wire voltage : > 10KΩ

Output calibration (ZERO & SPAN) adjustment range
Response time t90 (at 25°C)

10% of zero-point and full-range
< 20S

Environment

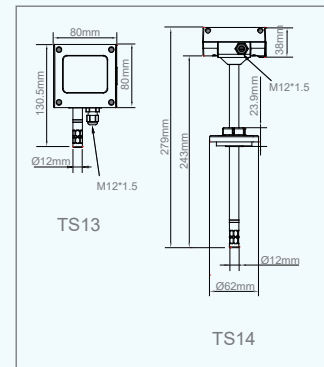
Media Measured
Media Temperature
Storage Temperature
CE Certification

Air
0~50°C
-25~60°C
EN 61326-1:2006, EN 61326-2-2:2006; Emissions EN55011:2009/A1:2010
Immunity IEC 61000-4-2:2008, IEC 61000-4-3:2006/A1:2007/A2:2010, IEC 61000-4-8:2009

Electrical Regulation

Power supply
Consumption current
Electrical Connection
Installation
Protection degree
Electrical protection
Housing
Weight

2-wire : 11~35VDC; 3-wire : 15~35VDC & 19~29VAC
2-wire DC:41mA; 3-wire DC:56mA / 3-wire AC:150mA
2-wire : 3P connection; 3-wire : 4P connection
Indoor for wall type / duct-mounting
IP 54 (Sensor: IP 20)
Polarity protection, over-voltage, short circuit
PC fire-proof class (PC-110)
TS13 : 132g / TS14 : 157g



ORDERING GUIDE

TS	-			-		-	
Installation	Function*	Output	Power Supply	Measuring Range*	Option		
13: Wall type	A: Temperature & humidity output	1: 4-20mA (2-wire)	1: 11~35 VDC (2-wire)	30: 0~50°C	N: none		
14: Duct type	H: Humidity output	3: 4-20mA (3-wire)	3: 15~35 VDC & 19~29VAC (3-wire)	00: 0~100%RH (humidity output)			
	T: Temperature output	6: 0~10V (3-wire)					

Example : TS13-A11-30-N = Taishio wall type temperature & humidity transmitter, 2-wire, 0~50°C / 0~100%RH, 4-20mA

*Function and measuring range are interconnected